



## Single Acting Telescopic Cylinders

the  
**ultimate**



in hydraulic cylinder  
**performance**



Custom Hoists, Inc. offers telescoping cylinder models for every mounting configuration, including hydraulic pumps and wet kits.

- Broadest product offering in the industry covering virtually any dump truck or trailer application
- New 5000 series hybrid design utilizing large North American tube sizes with a European look
- Manufacturing locations in the U.S.A. and China
- Local inventory available

**CH** Custom  
Hoists, Inc.

**Standex**  
ESSENTIAL PRODUCTS FOR YOUR WORLD

Ph: 419-368-4721 | 800-837-4668 ▪ Fax: 419-368-4209 | 800-224-6478  
[www.customhoists.com](http://www.customhoists.com)

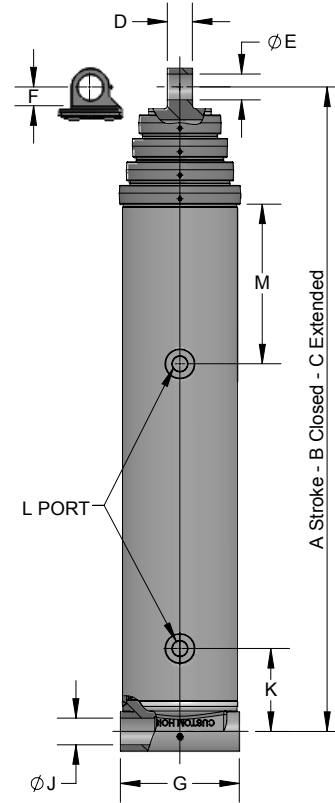
# 4000 Series

## Pin-Pin Mounting



### 4000 Series

- Self-bleeding design
- Pre-loaded v-packing with a self-adjusting wave spring energizer or an energized Z seal package as an option
- Threaded headnuts for added strength and field seal adjustment
- Longer bearing length for stability
- Stock models inventoried at 5 warehouse locations throughout the U.S. for immediate needs



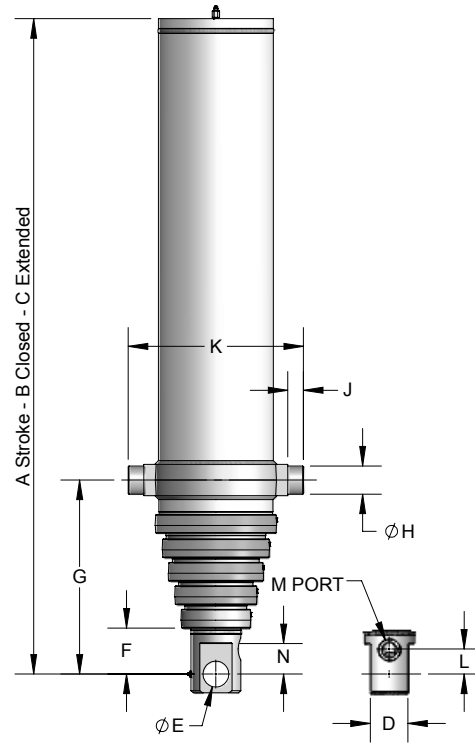


# 4000 Series Invert

## Trunnion to Pin Mounting

### 4000 Series Invert Mount

- Trunnion to Pin Mounting
- Self-bleeding design
- Pre-loaded v-packing with a self-adjusting wave spring energizer or an energized Z seal package as an option
- Threaded headnuts for added strength and field seal adjustment
- Longer bearing length for stability
- Stock models inventoried at 5 warehouse locations throughout the U.S. for immediate needs



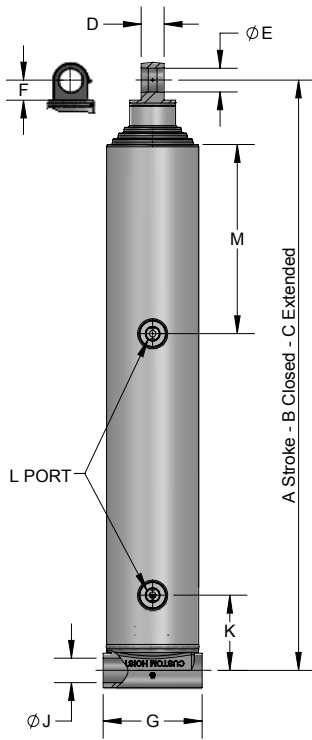
### 4000 Series

#### Invert Mount

MODEL NUMBER	A		B		C		D		E		F		G		H		J		K		L		M		N		GAL of OIL		WEIGHT lbs
	in	mm	in	mm	in	mm	in	mm	in	mm	in	mm	in	mm	in	mm	in	mm	in	mm	in	mm	PORT	in	mm	FILL	EXT		
63-4582-140	139.88	3553	60.00	1524	199.88	5077	4.00	102	1.56	40	3.44	87	14.38	365	1.75	44	1.69	43	12.38	314	2.00	51	1" NPTF	N/A	N/A	4.7	12.2	332	
85-4499-200	199.88	5077	56.38	1432	256.25	6509	3.00	76	2.06	52	3.75	95	15.50	394	2.25	57	1.25	32	14.00	356	2.00	51	1" NPTF	2.50	64	6.6	25.6	522	
85-4499-220	219.88	5585	60.38	1534	280.25	7118	3.00	76	2.06	52	3.75	95	15.50	394	2.25	57	1.25	32	14.00	356	2.00	51	1" NPTF	2.50	64	7.3	28.2	571	
85-4499-235	234.88	5966	65.38	1661	300.25	7626	3.00	76	2.06	52	3.75	95	15.50	394	2.25	57	1.25	32	14.00	356	2.00	51	1" NPTF	2.50	64	7.8	30.1	646	
85-4499-250	249.88	6347	68.38	1737	318.25	8084	3.00	76	2.06	52	3.75	95	15.50	394	2.25	57	1.25	32	14.00	356	2.00	51	1" NPTF	2.50	64	8.2	32.0	664	
85-4499-265	264.88	6728	74.88	1902	339.75	8630	3.00	76	2.06	52	3.75	95	15.50	394	2.25	57	1.25	32	14.00	356	2.00	51	1" NPTF	2.50	64	8.7	33.9	734	
85-4499-280	279.88	7109	77.88	1978	357.75	9087	3.00	76	2.06	52	3.75	95	15.50	394	2.25	57	1.25	32	14.00	356	2.00	51	1" NPTF	2.50	64	9.2	35.8	776	

# 5000 Series

## Pin-Pin Mounting



### 5000 Series

- Hybrid design utilizing large tube sizes with European look
- Single high performance u-cup seal with v-packing
- 'Z' seal option available
- Heavy duty wiper
- No seal adjustment needed
- Increased overlap between stages
- Snap-in retaining ring
- Chrome plating optional

### 5000 Series

MODEL NUMBER	A		B		C		D		E		F		G		J		K		L	M		GAL of OIL		WEIGHT
	in	mm	in	mm	in	mm	in	mm	in	mm	in	mm	in	mm	in	mm	in	mm	PORT	in	mm	FILL	EXT	lbs
63-5402-120	120.38	3058	53.00	1346	173.38	4404	2.00	51	2.06	52	1.75	44	7.00	178	2.13	54	19.50	495	1" NPTF	N/A	N/A	3.7	10.5	273
63-5402-140	140.62	3572	59.75	1518	200.37	5089	2.00	51	2.06	52	1.75	44	7.00	178	2.13	54	19.50	495	1" NPTF	N/A	N/A	4.3	12.3	306
74-5401-135	134.69	3421	48.25	1226	182.94	4647	2.00	51	2.06	52	1.75	44	8.63	219	2.13	54	6.50	165	1" NPTF	12.00	305	4.4	14.7	329
74-5401-156	154.56	3926	53.38	1356	207.94	5282	2.00	51	2.06	52	1.75	44	8.63	219	2.13	54	6.50	165	1" NPTF	12.00	305	5.1	16.8	363
74-5401-167	166.06	4218	56.25	1429	222.31	5647	2.00	51	2.06	52	1.75	44	8.63	219	2.13	54	6.50	165	1" NPTF	12.00	305	5.4	18.1	383
85-5402-170	168.56	4281	49.88	1267	218.44	5548	2.00	51	2.06	52	1.75	44	9.50	241	2.13	54	6.63	168	1" NPTF	12.75	324	3.7	21.8	473
85-5402-190	188.56	4789	53.88	1368	242.44	6158	2.00	51	2.06	52	1.75	44	9.50	241	2.13	54	6.63	168	1" NPTF	12.75	324	4.0	24.4	512
85-5402-200	198.56	5043	55.88	1419	254.44	6463	2.00	51	2.06	52	1.75	44	9.50	241	2.13	54	6.63	168	1" NPTF	12.75	324	4.2	25.6	530
85-5402-220	218.56	5551	59.88	1521	278.44	7072	2.00	51	2.06	52	1.75	44	9.50	241	2.13	54	6.63	168	1" NPTF	12.75	324	4.6	28.2	565
85-5402-235	234.19	5948	65.00	1651	299.19	7599	2.00	51	2.06	52	1.75	44	9.50	241	2.13	54	6.63	168	1" NPTF	12.75	324	5.0	29.6	633
85-5402-250	249.19	6329	68.00	1727	317.19	8057	2.00	51	2.06	52	1.75	44	9.50	241	2.13	54	6.63	168	1" NPTF	12.75	324	5.3	31.6	677
95-5461-265	264.88	6728	75.63	1921	340.50	8649	2.00	51	2.06	52	1.75	44	10.69	271	2.13	54	6.50	165	1" NPTF	12.75	324	7.3	48.1	946
95-5461-280	279.88	7109	78.63	1997	358.50	9106	2.00	51	2.06	52	1.75	44	10.69	271	2.13	54	6.50	165	1" NPTF	12.75	324	7.7	50.7	968

Please consult factory or your Regional Sales Manager for additional models.

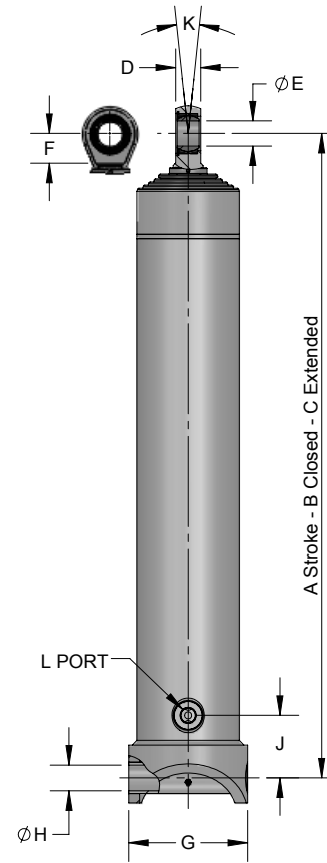
# 2500 Series

## Euro-Design



### 2500 Series

- Weighs less than most cylinders of similar design
- Chrome-plated LPA
- Optional self-aligning bearing
- Lifting capacity comparable to other brands
- Dual-lip wiper prevent contamination entry
- Fits a variety of dump body & trailer applications
- 2800 - 3500 PSI operating pressure
- Self-bleeding design
- State of the art u-cups

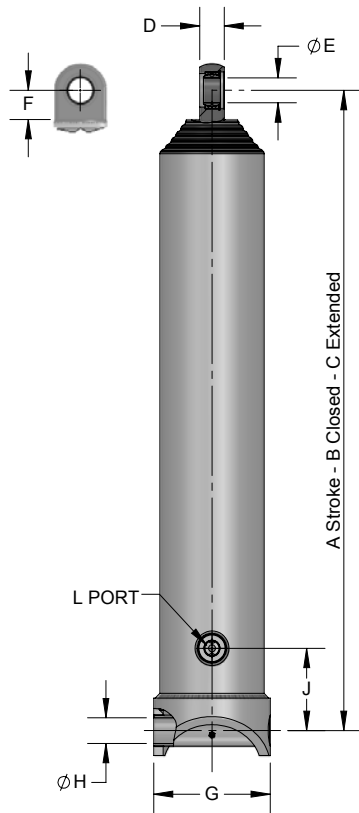


### 2500 Series

MODEL NUMBER	A		B		C		D		E		F		G		H		J		K	L	GAL of OIL		WEIGHT
	in	mm	in	mm	in	mm	in	mm	in	mm	in	mm	in	mm	in	mm	in	mm	TILT	PORT	FILL	EXT	lbs
1213-2502-2755	108.50	2756	50.50	1283	159.00	4039	1.63	41	2.00	51	2.19	56	6.69	170	2.06	52	13.00	330	12°	1" NPTF	0.9	6.0	204
1403-2504-3205	125.13	3178	56.50	1435	181.63	4613	1.63	41	2.00	51	2.19	56	8.63	219	2.06	52	14.75	375	12°	1" NPTF	1.2	9.8	287
1403-2509-3032	119.38	3032	53.00	1346	172.38	4378	2.00	51	2.06	52	1.75	44	7.63	194	2.06	52	19.50	495	N/A	1" NPTF	1.2	9.3	273
1403-2509-3185	125.38	3185	55.00	1397	180.38	4582	2.00	51	2.06	52	1.75	44	7.63	194	2.06	52	19.50	495	N/A	1" NPTF	1.2	9.8	282
1403-2509-3546	139.63	3546	59.75	1518	199.38	5064	2.00	51	2.06	52	1.75	44	7.63	194	2.06	52	19.50	495	N/A	1" NPTF	1.4	10.9	303
1404-2506-3680	142.25	3613	50.50	1283	192.75	4896	1.63	41	2.00	51	2.19	56	8.63	219	2.06	52	13.00	330	12°	1" NPTF	1.3	9.5	286
1624-2509-4280	166.25	4223	56.50	1435	222.75	5658	1.63	41	2.00	51	2.19	56	9.50	241	2.06	52	6.69	170	12°	1" NPTF	1.8	15.4	387
1624-2511-3680	142.25	3613	50.50	1283	192.75	4896	1.63	41	2.00	51	2.19	56	9.50	241	2.06	52	6.69	170	12°	1" NPTF	1.5	13.2	349
1624-2518-3416	134.50	3416	48.25	1226	182.75	4642	2.00	51	2.06	52	1.75	44	8.63	219	2.06	52	6.50	165	N/A	1" NPTF	1.4	12.5	346
1624-2518-3924	154.50	3924	53.38	1356	207.88	5280	2.00	51	2.06	52	1.75	44	8.63	219	2.06	52	6.50	165	N/A	1" NPTF	1.6	14.4	379
1624-2518-4216	166.00	4216	56.25	1429	222.25	5645	2.00	51	2.06	52	1.75	44	8.63	219	2.06	52	6.50	165	N/A	1" NPTF	1.8	15.4	397
1854-2508-3759	143.75	3651	51.50	1308	195.25	4959	2.00	51	2.00	51	2.38	60	9.50	241	2.06	52	5.00	127	N/A	1" NPTF	1.9	17.7	421
1854-2508-3962	151.75	3854	53.50	1359	205.25	5213	2.00	51	2.00	51	2.38	60	9.50	241	2.06	52	5.00	127	12°	1" NPTF	2.1	21.0	437
1854-2508-4089	157.25	3994	54.88	1394	212.13	5388	2.00	51	2.00	51	2.38	60	9.50	241	2.06	52	5.00	127	N/A	1" NPTF	1.9	17.7	445
1854-2508-4318	165.75	4210	57.00	1448	222.75	5658	2.00	51	2.00	51	2.38	60	9.50	241	2.06	52	5.00	127	12°	1" NPTF	2.1	21.0	463
1854-2508-4572	179.75	4566	60.50	1537	240.25	6102	2.00	51	2.00	51	2.38	60	9.50	241	2.06	52	5.00	127	12°	1" NPTF	2.2	22.3	481
1855-2509-5355	207.88	5280	56.75	1441	264.63	6721	1.63	41	2.00	51	2.19	56	10.25	260	2.06	52	6.69	170	12°	1" NPTF	2.4	22.8	502
1855-2510-4826	190.00	4826	53.88	1368	243.88	6194	2.00	51	2.00	51	2.38	60	9.50	241	2.06	52	10.00	254	12°	1" NPTF	2.2	21.0	474
1855-2510-5588	220.00	5588	59.88	1521	279.88	7109	2.00	51	2.00	51	2.38	60	9.50	241	2.06	52	10.00	254	12°	1" NPTF	2.5	24.2	522
1855-2510-5969	235.00	5969	65.00	1651	300.00	7620	2.00	51	2.00	51	2.38	60	9.50	241	2.06	52	10.00	254	12°	1" NPTF	2.7	25.8	562
1855-2510-6350	250.00	6350	68.00	1727	318.00	8077	2.00	51	2.00	51	2.38	60	9.50	241	2.06	52	10.00	254	12°	1" NPTF	2.8	27.5	586
1855-2510-6731	265.00	6731	70.88	1800	335.88	8531	2.00	51	2.00	51	2.38	60	9.50	241	2.06	52	10.00	254	12°	1" NPTF	3.0	29.1	613
1855-2510-7112	276.88	7033	72.25	1835	349.13	8868	2.00	51	2.00	51	2.38	60	9.50	241	2.06	52	10.00	254	12°	1" NPTF	3.1	30.4	644
2075-2505-7112	280.00	7112	72.25	1835	352.25	8947	2.00	51	2.00	51	2.38	60	10.63	270	2.06	52	6.57	167	12°	1" NPTF	3.7	40.5	754
2075-2505-7620	300.00	7620	76.25	1937	376.25	9557	2.00	51	2.00	51	2.38	60	10.63	270	2.06	52	6.57	167	12°	1" NPTF	4.0	43.4	816

# 2600 Series

Euro-Design



## 2600 Series

- Exact Euro cylinder design
- 110/130/150/170/190mm (4.33-7.48") stage diameters
- Strokes up to 400"
- Single-piece (no welds) plungers
- Cascading umbrella wipers
- Self-bleeding design
- System pressures to 3,500 PSI
- Chrome plated stages optional
- Optional spherical bearing



## 2600 Series

MODEL NUMBER	A		B		C		D		E		F		G		H		J		L			GAL of OIL		WEIGHT
	in	mm	in	mm	in	mm	in	mm	in	mm	in	mm	in	mm	in	mm	in	mm	PORT	FILL	EXT	lbs		
1503-2601-2755	107.00	2718	50.50	1283	157.50	4001	2.00	51	2.06	52	1.75	44	8.63	219	2.06	52	6.63	168	1" NPTF	0.8	9.5	237		
1503-2601-3226	126.50	3213	57.00	1448	183.50	4661	2.00	51	2.06	52	1.75	44	8.63	219	2.06	52	6.63	168	1" NPTF	0.9	11.3	268		
1904-2601-3760	147.75	3753	52.00	1321	199.75	5074	2.00	51	2.06	52	1.75	44	9.50	241	2.06	52	6.63	168	1" NPTF	1.5	20.1	490		
1904-2601-3980	156.75	3981	54.25	1378	211.00	5359	2.00	51	2.06	52	1.75	44	9.50	241	2.06	52	6.63	168	1" NPTF	1.6	21.4	510		
1904-2601-4260	167.75	4261	57.00	1448	224.75	5709	2.00	51	2.06	52	1.75	44	9.50	241	2.06	52	6.63	168	1" NPTF	1.7	22.9	535		
1905-2601-5790	227.88	5788	60.75	1543	288.63	7331	2.00	51	2.06	52	1.75	44	9.50	241	2.06	52	6.63	168	1" NPTF	2.1	27.7	601		
1905-2601-6731	265.00	6731	70.88	1800	335.88	8531	2.00	51	2.06	52	1.75	44	9.50	241	2.06	52	6.63	168	1" NPTF	2.5	32.3	674		
2155-2601-5588	220.00	5588	60.13	1527	280.13	7115	2.00	51	2.06	52	1.75	44	10.63	270	2.06	52	6.56	167	1" NPTF	2.2	34.7	697		

Please consult factory or your Regional Sales Manager for additional models.

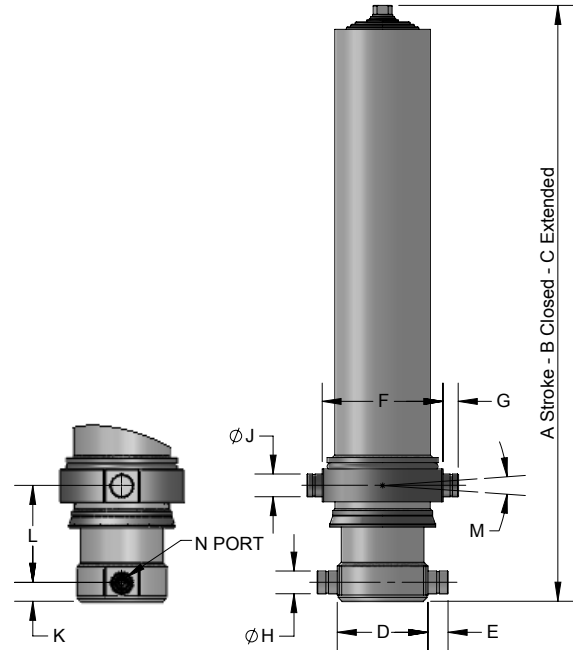
# 3000 Series

## Trunnion Mount



### 3000 Series

- 23% more lifting capacity
- Chrome-plated plungers
- Optional nitrided plungers
- Domestically manufactured and stocked for immediate shipment
- Oscillating trunnion collar reduces side loading
- O.D. sealed with state of the art u-cups
- Pin Ported



### 3000 Series

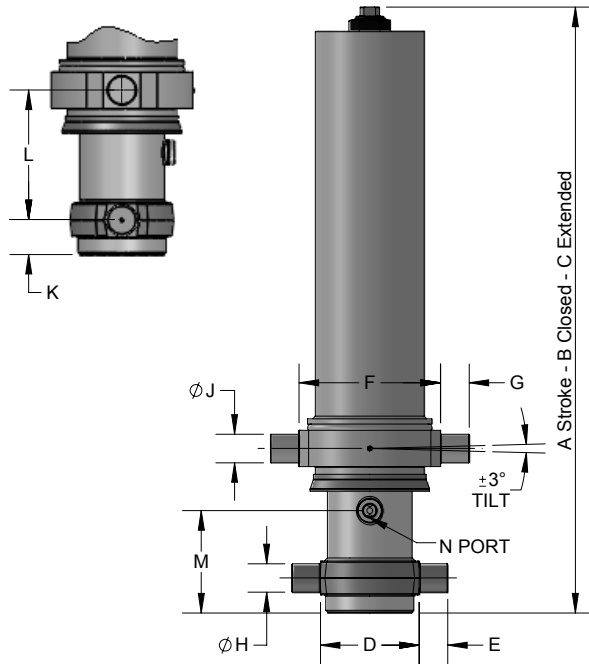
MODEL NUMBER	A		B		C		D		E		F		G		H		J		K		L		M	N	GAL of OIL		WEIGHT
	in	mm	in	mm	in	mm	in	mm	in	mm	in	mm	in	mm	in	mm	in	mm	in	mm	in	mm	TILT	PORT	FILL	EXT	lbs
5.53-3006-120	120.00	3048	55.50	1410	175.50	4458	7.00	178	2.00	51	9.00	229	1.25	32	1.87	48	1.87	48	1.63	41	6.38	162	8°	SAE #12	1.2	9.3	375
5.53-3006-130	130.13	3305	58.88	1495	189.00	4801	7.00	178	2.00	51	9.00	229	1.25	32	1.87	48	1.87	48	1.63	41	6.38	162	8°	SAE #12	1.3	10.1	384
5.53-3006-140	139.88	3553	62.13	1578	202.00	5131	7.00	178	2.00	51	9.00	229	1.25	32	1.87	48	1.87	48	1.63	41	6.38	162	8°	SAE #12	1.4	10.9	414
6.54-3010-150	150.00	3810	54.75	1391	204.75	5201	8.00	203	2.00	51	10.19	259	1.50	38	2.25	57	2.25	57	1.88	48	7.63	194	3°	SAE #16	1.6	13.9	472
6.54-3010-160	160.00	4064	57.25	1454	217.25	5518	8.00	203	2.00	51	10.19	259	1.50	38	2.25	57	2.25	57	1.88	48	7.63	194	3°	SAE #16	1.7	14.9	498
6.54-3010-170	170.00	4318	59.75	1518	229.75	5836	8.00	203	2.00	51	10.19	259	1.50	38	2.25	57	2.25	57	1.88	48	7.63	194	3°	SAE #16	1.8	15.8	509
6.54-3010-180	180.00	4572	62.25	1581	242.25	6153	8.00	203	2.00	51	10.19	259	1.50	38	2.25	57	2.25	57	1.88	48	7.63	194	3°	SAE #16	1.9	16.7	538

Please consult factory or your Regional Sales Manager for additional models.



# 1500 Series

## Trunnion Mount



### 1500 Series

- European style trunnion mount
- Body Ported
- Oscillating trunnion collar reduces side loading
- O.D. sealed with state of the art u-cups
- Fits a variety of dump body applications



### 1500 Series

MODEL NUMBER	A		B		C		D		F		G		J		K		L		M		N PORT	GAL of OIL		WEIGHT lbs
	in	mm	in	mm	in	mm	in	mm	in	mm	in	mm	in	mm	in	mm	in	mm	FILL	EXT				
1403-1508-4270	168.00	4267	69.25	1759	237.25	6026	8.23	209	13.38	340	2.38	60	2.49	63	2.75	70	12.63	321	6.48	165	1" BSP	1.6	13.1	572
1404-1512-4280	168.25	4274	54.00	1372	222.25	5645	8.23	209	13.38	340	2.38	60	2.49	63	2.75	70	12.63	321	6.48	165	1" BSP	1.5	11.3	495
1404-1512-4640	182.75	4642	57.75	1467	240.50	6109	8.23	209	13.38	340	2.38	60	2.49	63	2.75	70	12.63	321	6.48	165	1" BSP	1.7	12.2	522
1404-1513-5200	204.25	5188	63.00	1600	267.25	6788	7.40	188	13.38	340	2.00	51	2.49	63	2.75	70	12.63	321	6.48	165	1" BSP	1.9	13.7	577
1404-1513-5600	219.25	5569	66.75	1695	286.00	7264	7.40	188	13.38	340	2.00	51	2.49	63	2.75	70	12.63	321	6.48	165	1" BSP	2.0	14.7	611
1624-1509-4280	168.25	4274	54.00	1372	222.25	5645	9.51	242	13.38	340	2.76	70	2.49	63	3.35	85	12.63	321	6.48	165	1" BSP	1.8	15.6	574
1624-1509-4640	182.50	4636	57.75	1467	240.25	6102	9.51	242	13.38	340	2.76	70	2.49	63	3.35	85	12.63	321	6.48	165	1" BSP	1.9	16.9	606
1624-1509-5190	204.00	5182	63.88	1622	267.88	6804	9.51	242	13.38	340	2.76	70	2.49	63	3.35	85	12.63	321	6.48	165	1" BSP	2.2	18.9	658
1624-1509-5460	215.00	5461	66.63	1692	281.63	7153	9.51	242	13.38	340	2.76	70	2.49	63	3.35	85	12.63	321	6.48	165	1" BSP	2.3	20.0	681
1625-1505-5625	221.25	5620	55.88	1419	277.13	7039	9.25	235	12.52	318	1.96	50	2.36	60	3.35	85	12.63	321	6.48	165	1" BSP	2.2	17.9	637
1625-1505-5850	230.38	5852	55.00	1397	285.38	7249	9.25	235	12.52	318	1.96	50	2.36	60	3.35	85	12.63	321	6.48	165	1" BSP	2.2	18.7	627
1854-1509-4300	169.25	4299	55.25	1403	224.50	5702	9.53	242	13.69	348	2.76	70	2.75	70	3.35	85	12.63	321	6.48	165	1" BSP	2.1	21.0	680
1854-1509-4640	182.75	4642	58.63	1489	241.38	6131	9.53	242	13.69	348	2.76	70	2.75	70	3.35	85	12.63	321	6.48	165	1" BSP	2.2	22.7	709
1854-1509-5390	212.25	5391	66.00	1676	278.25	7068	9.53	242	13.69	348	2.76	70	2.75	70	3.35	85	12.63	321	6.48	165	1" BSP	2.5	25.3	780
1854-1509-5460	215.00	5461	66.75	1695	281.75	7156	9.53	242	13.69	348	2.76	70	2.75	70	3.35	85	12.63	321	6.48	165	1" BSP	2.6	26.6	788
1854-1509-5780	227.75	5785	70.63	1794	298.38	7579	9.53	242	13.69	348	2.76	70	2.75	70	3.35	85	12.63	321	6.48	165	1" BSP	2.8	28.4	825
1854-1509-6100	240.25	6102	74.00	1880	314.25	7982	9.53	242	13.69	348	2.76	70	2.75	70	3.35	85	12.63	321	6.48	165	1" BSP	2.9	30.0	858
1855-1518-5733	225.63	5731	58.25	1480	283.88	7210	9.53	242	13.69	348	2.76	70	2.48	63	3.35	85	12.63	321	6.48	165	1" BSP	2.6	24.8	755
1855-1518-7233	284.38	7223	70.00	1778	354.38	9001	9.53	242	13.69	348	2.76	70	2.48	63	3.35	85	12.63	321	6.48	165	1" BSP	3.3	31.2	907
2075-1508-7190	283.13	7191	70.00	1778	353.13	8969	10.51	267	13.78	350	2.76	70	2.75	70	3.35	85	12.63	321	6.48	165	1" BSP	3.8	40.7	1023

# Wet Kits and Pumps

Custom Hoists offers a full line of wet kits and pumps to compliment the broadest product line of telescopic cylinders in the industry. Custom Hoists pump and wet kit products offer both standard replacement and high performance high efficiency options to meet the needs of the industry.

- Multiple pump options with air or cable shift hydraulic tipping valve
- 35-70 gallon hydraulic oil reservoir with mounting brackets
- Pneumatic or manual hoist control
- 27 GPM with up to 3000 psi hydraulic system
- For intermittent and continuous operation of dump trucks and dump trailers
- Dual pressure option for combination systems

## Hydraulic Pumps



PVB series



PV series



GP series

### High Performance C102 Pump Replacements

- High grade cast iron pump body
- Two-piece design
- High performance 97% efficiency rating
- Lightweight design with small envelope
- Dual pressure option for combination system

### Economical C102 Pump Replacements

- Cast iron pump body
- Heavy duty roller bearings
- Left and right hand rotation
- SAE "B" 4 bolt flange mounting

### High Performance GP 350 Pump Replacements

- Bi Rotational
- Compact two piece design
- High performance 97% efficiency rating
- Lightweight design
- Multiple configuration
- SAE "B" 4 bolt and 2/4 bolt

## Hydraulic Reservoirs



### Assembly (Upright Mount)

- Steel or aluminum construction with diamond plate top section
- Steel finish: black powder coated
- Aluminum finish: bright polished
- Fully baffled with two heavy duty NPT bottom ports

### Assembly (Round Saddle Mount)

- Total steel or aluminum construction
- Steel finish: black powder coated
- Aluminum finish: bright polished
- Three heavy duty NPT bottom ports with built in diffusers

### Pneumatic Hoist Controls

- Controlled lowering
- Automatic disengagement of PTO in lower position (PTO Kickout)
- Safety latch on PTO switch to prevent accidental engagement
- Brighter PTO LED light

# Notes



Lined area for writing notes, consisting of multiple horizontal lines.

# Hydraulic Cylinders

**1500 Series**  
Trunnion  
Mounting



**2000 Series**  
Trunnion Eye  
Mounting



**2500/  
2600 Series**  
Pin Eye  
Mounting



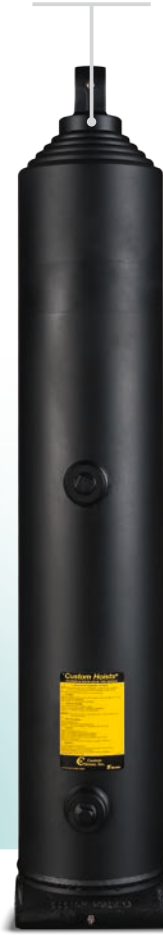
**3000 Series**  
Trunnion  
Pin Ported



**4000 Series**  
Pin-to-Pin  
Mounting



**5000 Series**  
Pin-to-Pin  
Mounting



Custom Hoists produces the widest range of telescoping and rod cylinders in the industry designed to work in tune with our wet kits and pumps. We offer European and traditional head nut designs in a wide range of sizes and mounting configurations to fit your needs. Contact us today to learn how we can provide full system hydraulic solutions for all your lifting needs.



**Custom Hoist, Inc.**  
771 Rt. 30A West  
Ashland, OH 44805, U.S.A.  
Ph: 419-368-4721 | 800-837-4668  
Fax: 419-368-4209 | 800-224-6478  
[www.customhoists.com](http://www.customhoists.com)

**Custom Hoist Hydraulics (Tianjin) Co., Ltd.**  
61# Huasheng Road  
Beichen High-Tech Industrial Park  
Tianjin 300409, China  
Ph: (86) 22-86993870  
Fax: (86) 22-86996885