



PV series

**PV Series
Direct Mount Bushing
Dump Pump**
Bearing style gear pump
with integral valve



power up performance



Economical C102 Pump Replacements

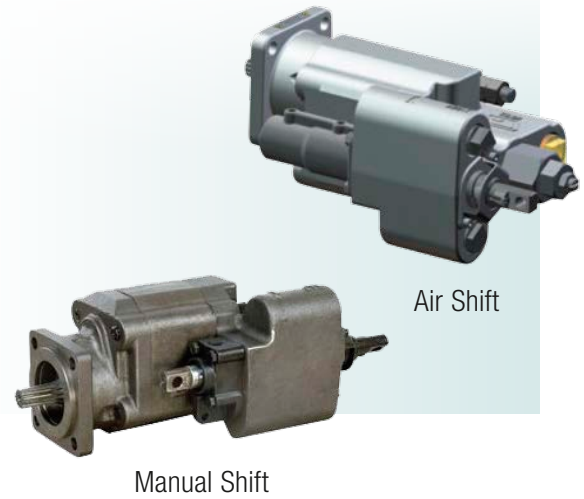
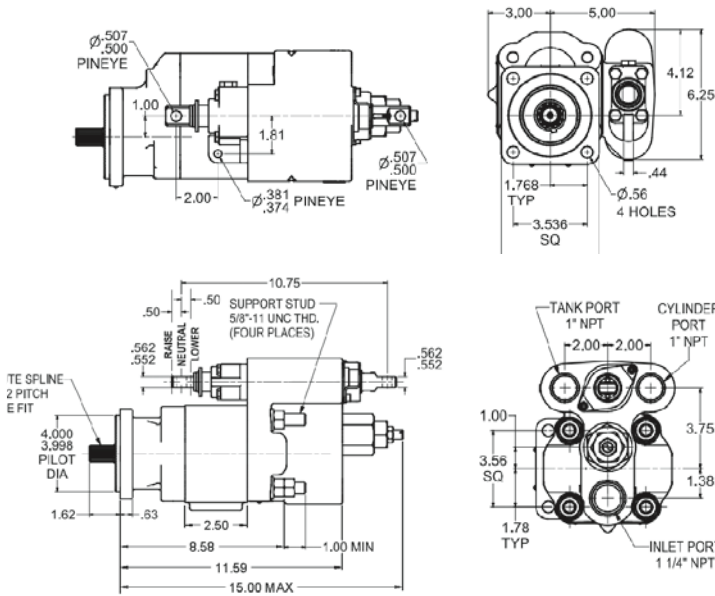
- Cast iron pump body
- Heavy duty roller bearings
- Left and Right hand rotation
- SAE "B" 4 bolt flange mounting
- High pressures up to 2250 psi
- Air and Manual shift
- Adjustable relief valve
- High pressure front seal
- Chrome steel valve spool
- 2 line or 3 line system installation

CH Custom
Hoists, Inc.

Standex
ESSENTIAL PRODUCTS FOR YOUR WORLD

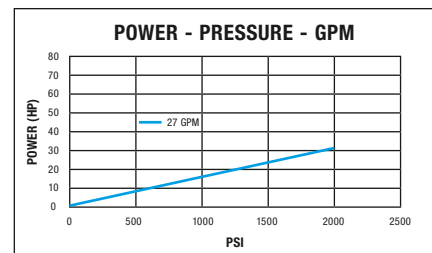
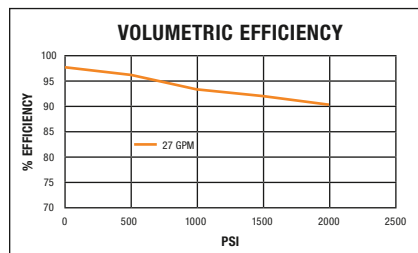
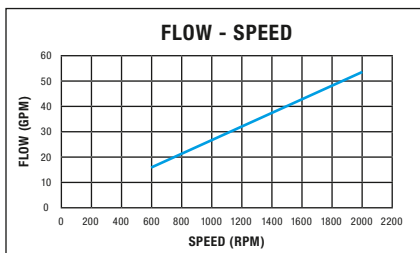
Ph: 419-368-4721 | 800-837-4668 • Fax: 419-368-4209 | 800-224-6478
www.customhoists.com

PV series | Economical C102 Pump Replacements



Direct Mount Dump Pump

PART NUMBER	DESCRIPTION	SHAFT	GEAR	INLET	PRESSURE & RETURN PORT
CHPV102-LMS-25	Manual Shift—Left Hand Rotation	7/8" 13 Tooth	2.5" (6.2 cu in)	1-1/4" NPT	1" NPT
CHPV102-RMS-25	Manual Shift—Right Hand Rotation	7/8" 13 Tooth	2.5" (6.2 cu in)	1-1/4" NPT	1" NPT
CHPV102-LAS-25	Air Shift—Left Hand Rotation	7/8" 13 Tooth	2.5" (6.2 cu in)	1-1/4" NPT	1" NPT
CHPV102-RAS-25	Air Shift—Right Hand Rotation	7/8" 13 Tooth	2.5" (6.2 cu in)	1-1/4" NPT	1" NPT



Contact us today to learn how we can help meet your hydraulic system needs.

Ph: 419-368-4721 | 800-837-4668 ■ Fax: 419-368-4209 | 800-224-6478 ■ www.customhoists.com