

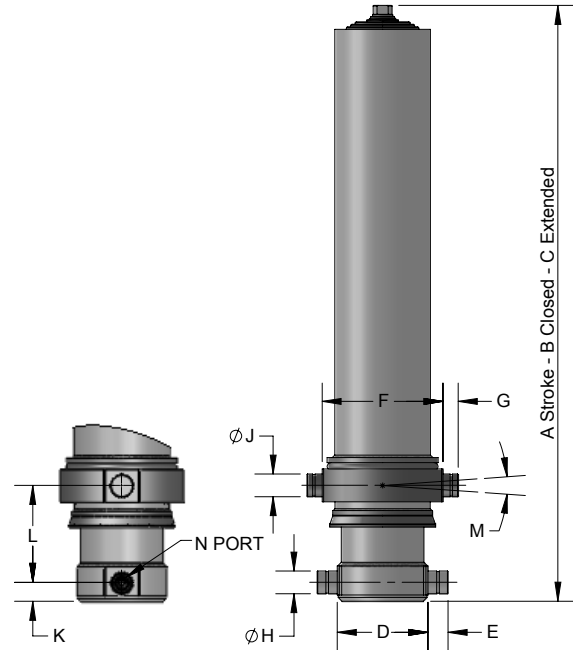
# 3000 Series

## Trunnion Mount



### 3000 Series

- 23% more lifting capacity
- Chrome-plated plungers
- Optional nitrided plungers
- Domestically manufactured and stocked for immediate shipment
- Oscillating trunnion collar reduces side loading
- O.D. sealed with state-of-the-art u-cups
- Pin ported



### 3000 Series

MODEL NUMBER	A		B		C		D		E		F		G		H		J		K		L		M	N	GAL of OIL		WEIGHT
	in	mm	in	mm	in	mm	in	mm	in	mm	in	mm	in	mm	in	mm	in	mm	in	mm	in	mm	TILT	PORT	FILL	EXT	lbs
5.53-3006-120	120.00	3048	55.50	1410	175.50	4458	7.00	178	2.00	51	9.00	229	1.25	32	1.87	48	1.87	48	1.63	41	6.38	162	8°	SAE #12	1.2	9.3	375
5.53-3006-130	130.13	3305	58.88	1495	189.00	4801	7.00	178	2.00	51	9.00	229	1.25	32	1.87	48	1.87	48	1.63	41	6.38	162	8°	SAE #12	1.3	10.1	384
5.53-3006-140	139.88	3553	62.13	1578	202.00	5131	7.00	178	2.00	51	9.00	229	1.25	32	1.87	48	1.87	48	1.63	41	6.38	162	8°	SAE #12	1.4	10.9	414
6.54-3010-150	150.00	3810	54.75	1391	204.75	5201	8.00	203	2.00	51	10.19	259	1.50	38	2.25	57	2.25	57	1.88	48	7.63	194	3°	SAE #16	1.6	13.9	472
6.54-3010-160	160.00	4064	57.25	1454	217.25	5518	8.00	203	2.00	51	10.19	259	1.50	38	2.25	57	2.25	57	1.88	48	7.63	194	3°	SAE #16	1.7	14.9	498
6.54-3010-170	170.00	4318	59.75	1518	229.75	5836	8.00	203	2.00	51	10.19	259	1.50	38	2.25	57	2.25	57	1.88	48	7.63	194	3°	SAE #16	1.8	15.8	509
6.54-3010-180	180.00	4572	62.25	1581	242.25	6153	8.00	203	2.00	51	10.19	259	1.50	38	2.25	57	2.25	57	1.88	48	7.63	194	3°	SAE #16	1.9	16.7	538

Please consult factory or your Regional Sales Manager for additional models.